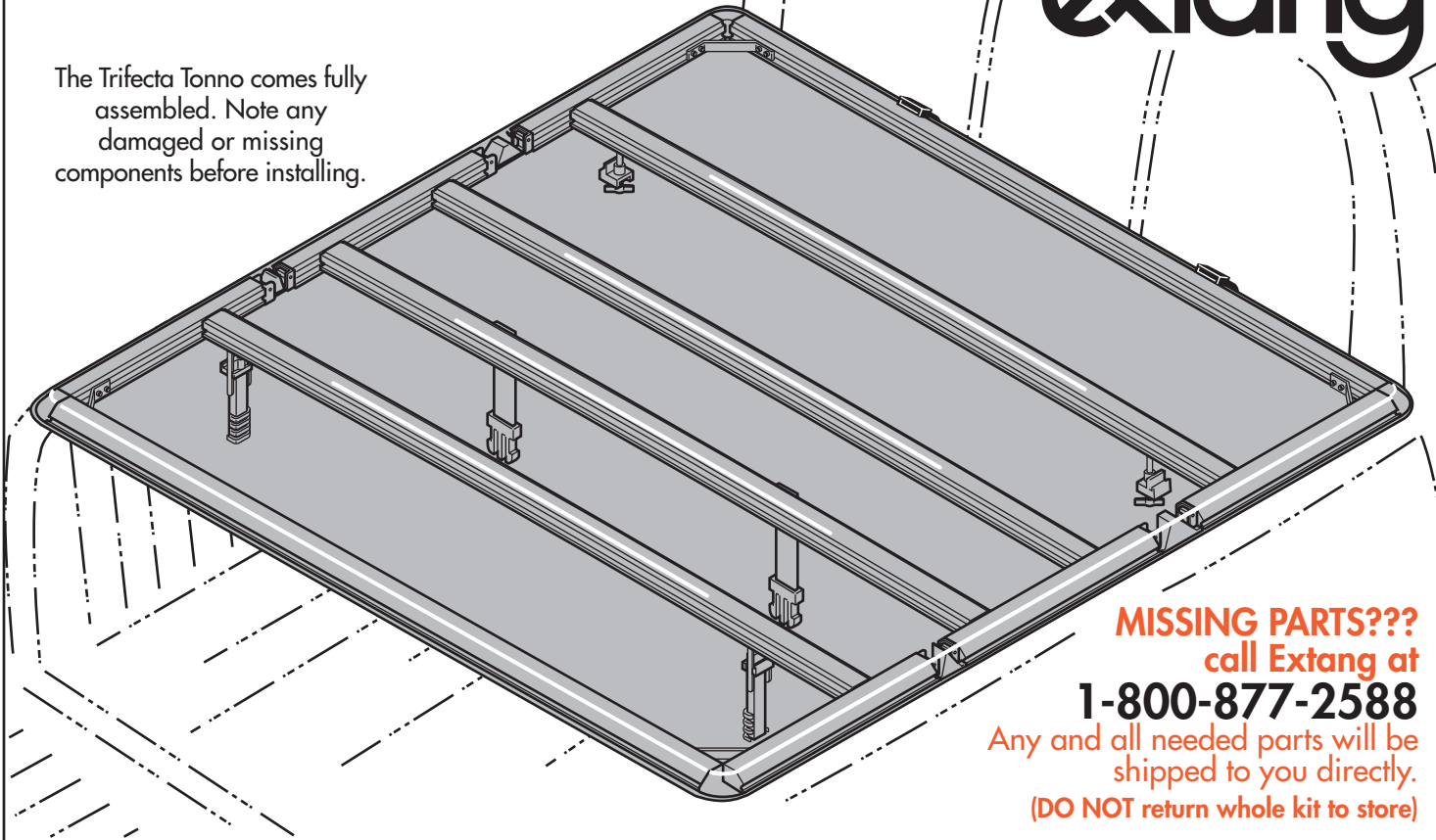


# INSTALLATION SHEET

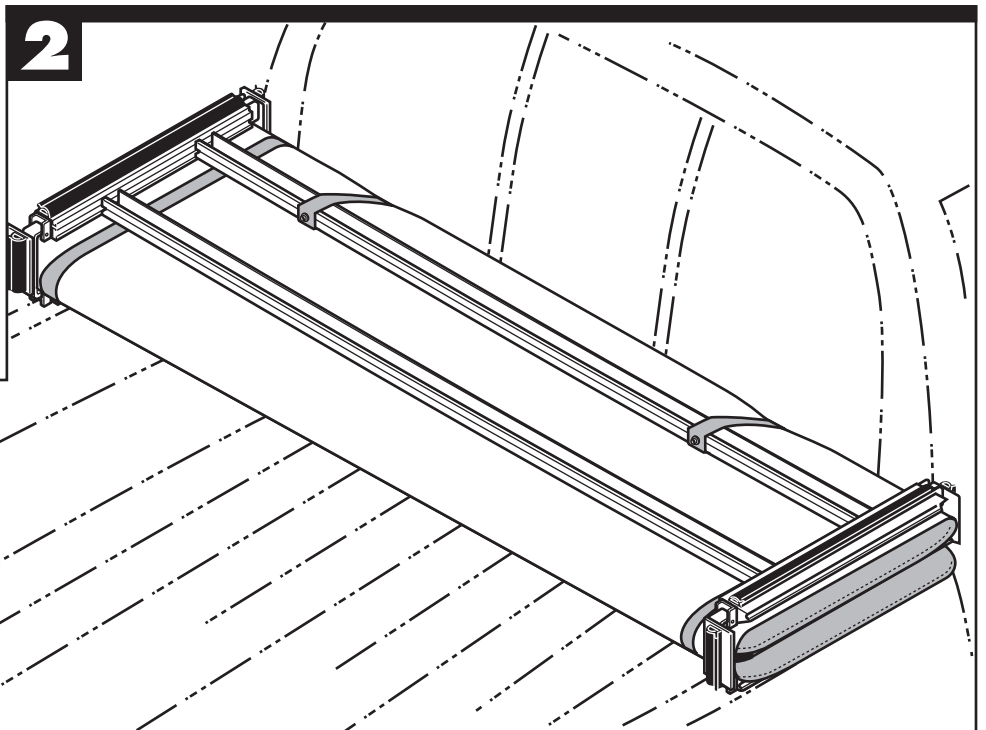
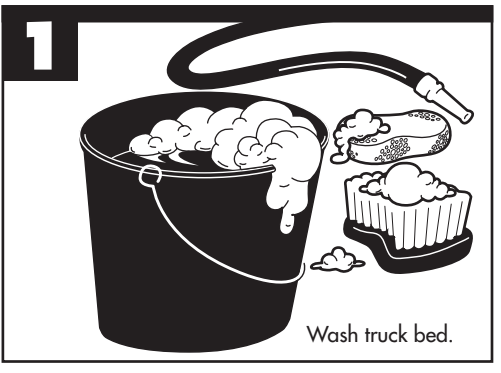
## TRIFECTA TONNO™



The Trifecta Tonno comes fully assembled. Note any damaged or missing components before installing.



**MISSING PARTS???**  
call Extang at  
**1-800-877-2588**  
Any and all needed parts will be  
shipped to you directly.  
(DO NOT return whole kit to store)

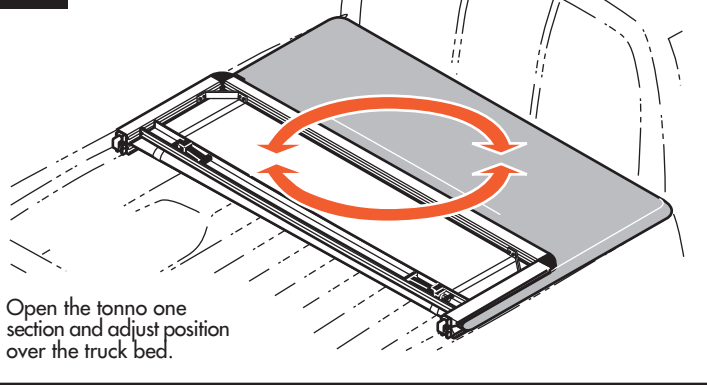


**extang**  
Stands for Quality

Extang Corporation  
1901 E. Ellsworth Rd.  
Ann Arbor, MI 48108  
734 677-0444, Fax: 734 677-8409

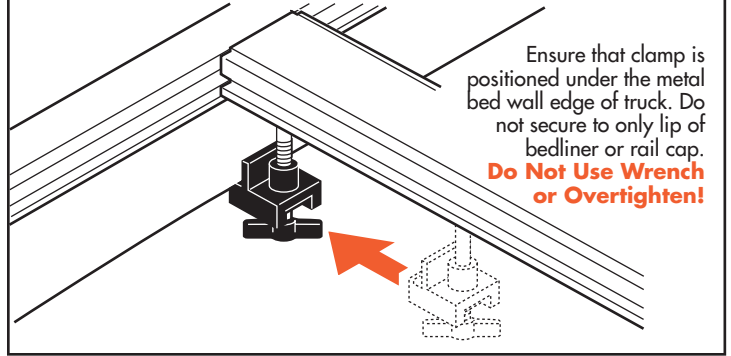
Visit us at:  
**www.extang.com**  
Item No. 0142-0405 RH Printed in U.S.A.

**3**



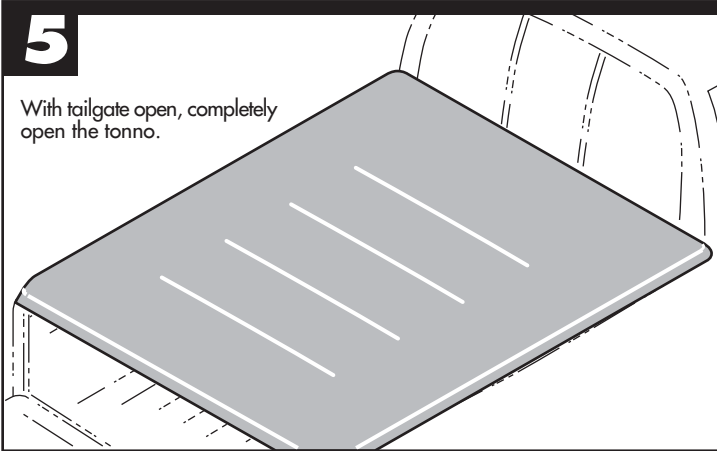
**4**

Slide front clamps out to the bed walls and hand tighten until clamp securely contacts downstanding metal edge of bed wall then tighten an additional 1/2 turn.



**5**

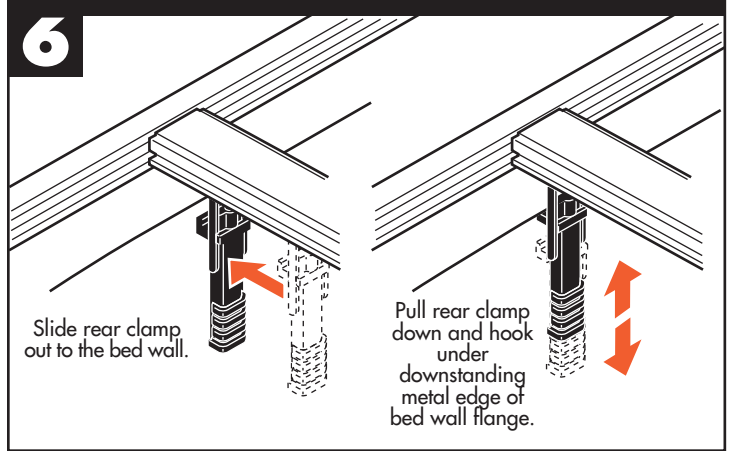
With tailgate open, completely open the tonno.



**6**

Slide rear clamp out to the bed wall.

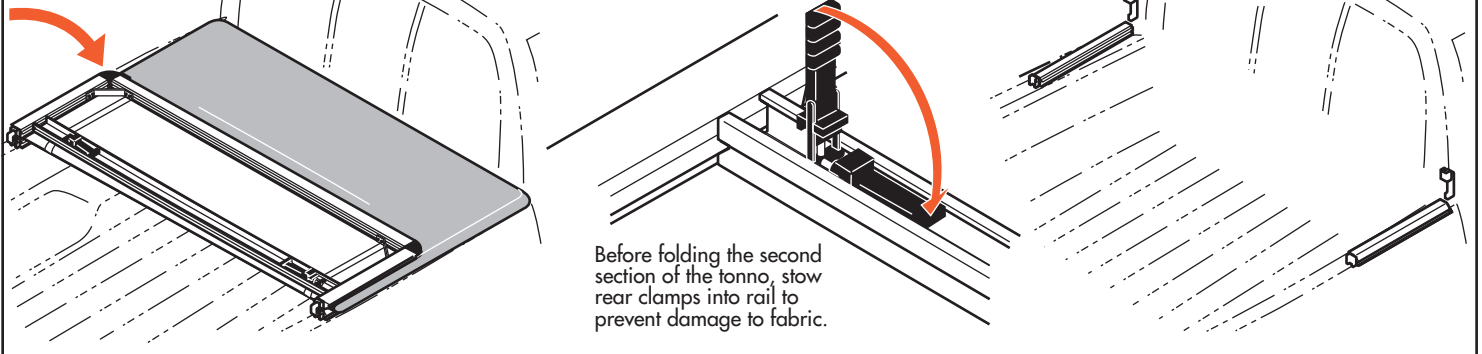
Pull rear clamp down and hook under downstanding metal edge of bed wall flange.



**7**

It is very convenient to drive with the Trifecta Tonno open. Release the rear clamps and fold the tonno forward.

Fold the tonno forward and fasten the straps in the middle section to the front rail.



**IMPORTANT NOTICE**

While driving, tonneau must be completely flat and secure with all four clamps in the closed position or completely folded up (all panels) and secured at the cab. **DO NOT DRIVE** with tonneau in partially opened position.

