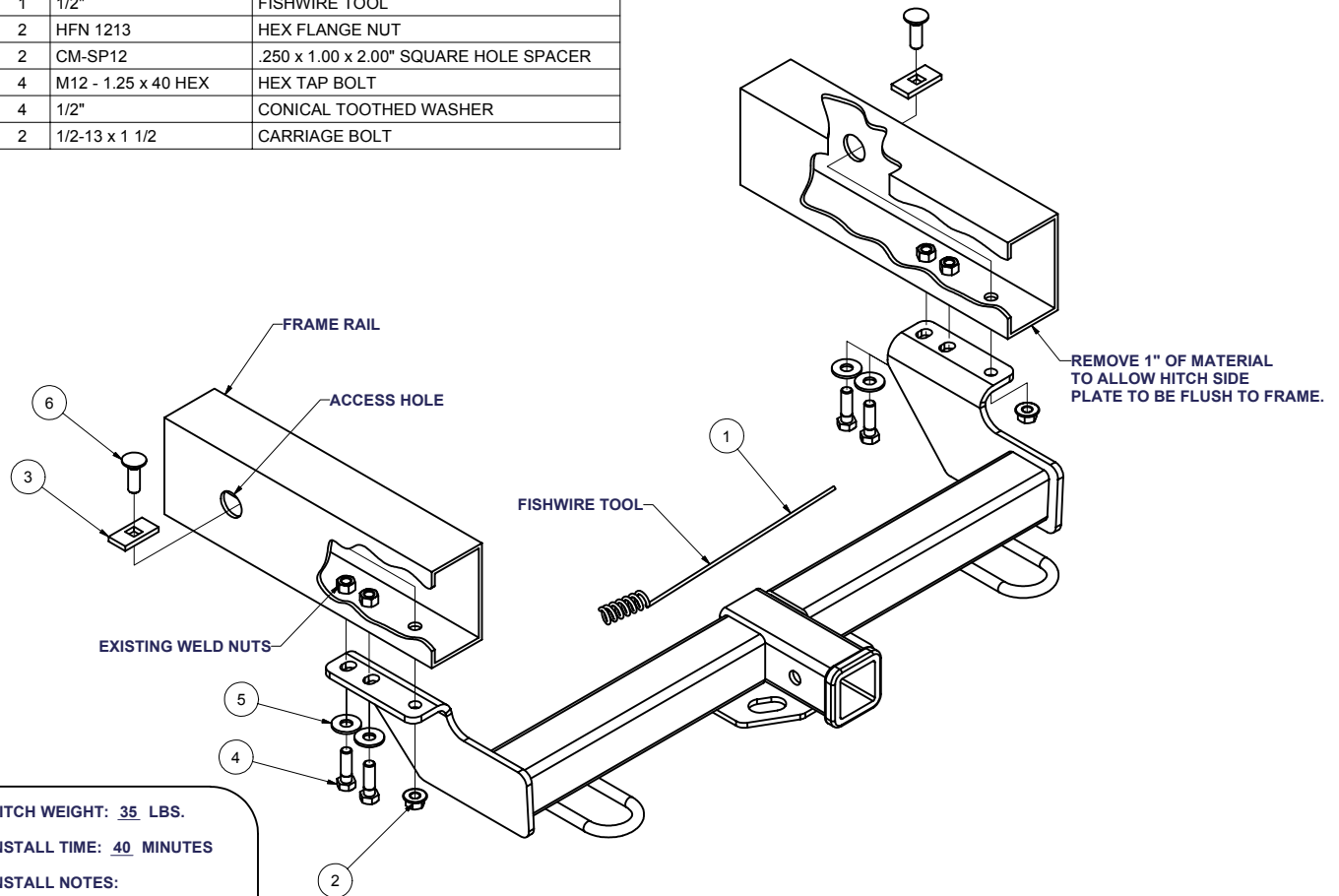


31180**TOYOTA TUNDRA & SEQUOIA**

4/24/2008

GROSS LOAD CAPACITY WHEN USED AS A WEIGHT CARRYING HITCH: 5,000 LBS. TRAILER WEIGHT & 500 LBS. TONGUE WEIGHT.
*****DO NOT EXCEED VEHICLE MANUFACTURER'S RECOMMENDED TOWING CAPACITY.*****

Parts List			
ITEM	QTY	PART NUMBER	DESCRIPTION
1	1	1/2"	FISHWIRE TOOL
2	2	HFN 1213	HEX FLANGE NUT
3	2	CM-SP12	.250 x 1.00 x 2.00" SQUARE HOLE SPACER
4	4	M12 - 1.25 x 40 HEX	HEX TAP BOLT
5	4	1/2"	CONICAL TOOTHED WASHER
6	2	1/2-13 x 1 1/2	CARRIAGE BOLT

HITCH WEIGHT: 35 LBS.INSTALL TIME: 40 MINUTES

INSTALL NOTES:

HOLE ENLARGEMENT REQUIRED

INSTALLATION STEPS

- 1) From under side of front frame, remove tie down loops and tow hook (two bolts each side). Return hardware to customer.
- 2) Enlarge tie down loop holes in plastic splash guards. Using shears or heavy scissors, trim out 1" of material towards front of vehicle frame.
- 3) Raise hitch up to frame and fasten in place using 12mm bolts and conical toothed washer as shown. Hand tighten bolts.
- 4) Using front hole in hitch side plates as a template, drill 1/2" hole through underside of the frame, one hole each side.
- 5) Fishwire carriage bolt and blocks through the access hole in frame and out the previously drilled holes. Remove fishwire tool from bolt and fasten with 1/2" flange nut.
- 6) Torque all M12 bolts to 64 lb.-ft. Torque all 1/2" hardware to 72 lb.-ft.

PERIODICALLY CHECK THIS RECEIVER HITCH TO ENSURE THAT ALL FASTENERS ARE TIGHT AND THAT ALL STRUCTURAL COMPONENTS ARE SOUND.

Curt Manufacturing Inc., warrants this product to be free of defects in material and/or workmanship at the time of retail purchase by the original purchaser. If the product is found to be defective, Curt Manufacturing Inc., may repair or replace the product, at their option, when the product is returned, prepaid, with proof of purchase. Alteration to, misuse of, or improper installation of this product voids the warranty. Curt Manufacturing Inc.'s liability is limited to repair or replacement of products found to be defective, and specifically excludes liability for incidental or consequential loss or damage.

31180 TOYOTA TUNDRA

*****DO NOT EXCEED VEHICLE MANUFACTURER'S RECOMMENDED TOWING CAPACITY*****.

FRONT MOUNTED ACCESSORIES

1) Do not exceed front axle Gross Weight Rating (GAWR). Consult owners manual or specification plate located on driver's door frame. Measure gross front axle weight by placing front wheels of loaded vehicle on a scale.

WARNING: Exceeding GAWR may overload the front axle and/or suspension. This could result in **accident, property damage and personal injury.**

- 2) Reposition front mounted license plate if obstructed.
- 3) Do not obstruct vehicle lights.
- 4) Allow free air flow into grille opening.
- 5) Rear wheel traction may be reduced. This could effect handling. Reduce speed and drive with caution.
- 6) Accessories extend front of vehicle. This may reduce approach angle. Use caution when parking and maneuvering.
- 7) Do not obstruct driver view.

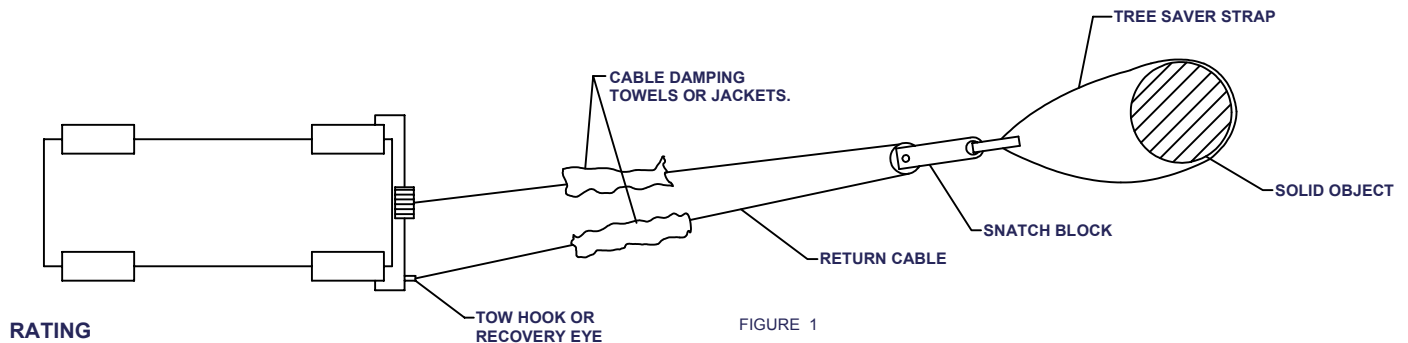
VEHICLE RECOVERY AND WINCHING TIPS

1) Use OEM tow hooks, recovery eyes or a clevis mount for attachment of a tow strap or winch cable.

WARNING: NEVER use a ball and/or ball mount as an anchor point for tow strap or winch cable. Severe personal injury or death could result.

- 2) Observe winch manufacturer's recommendations, cautions and warnings.
- 3) Attach return cable to tow hook or recovery eye when using a snatch block (See figure 1).

CAUTION: Do not attach return cable to winch mount. This may overload winch mount and/or front mounted receiver.



RATING

For **Maximum** line pull rating, winch cable must not exceed:
- 15 degree angle up or down from horizontal (See Figure 2).
- 45 degree angle left or right from straight ahead (See Figure 3).

CAUTION: Exceeding the maximum line pull rating may over load winch, winch mount, and/or front mounted receiver.

