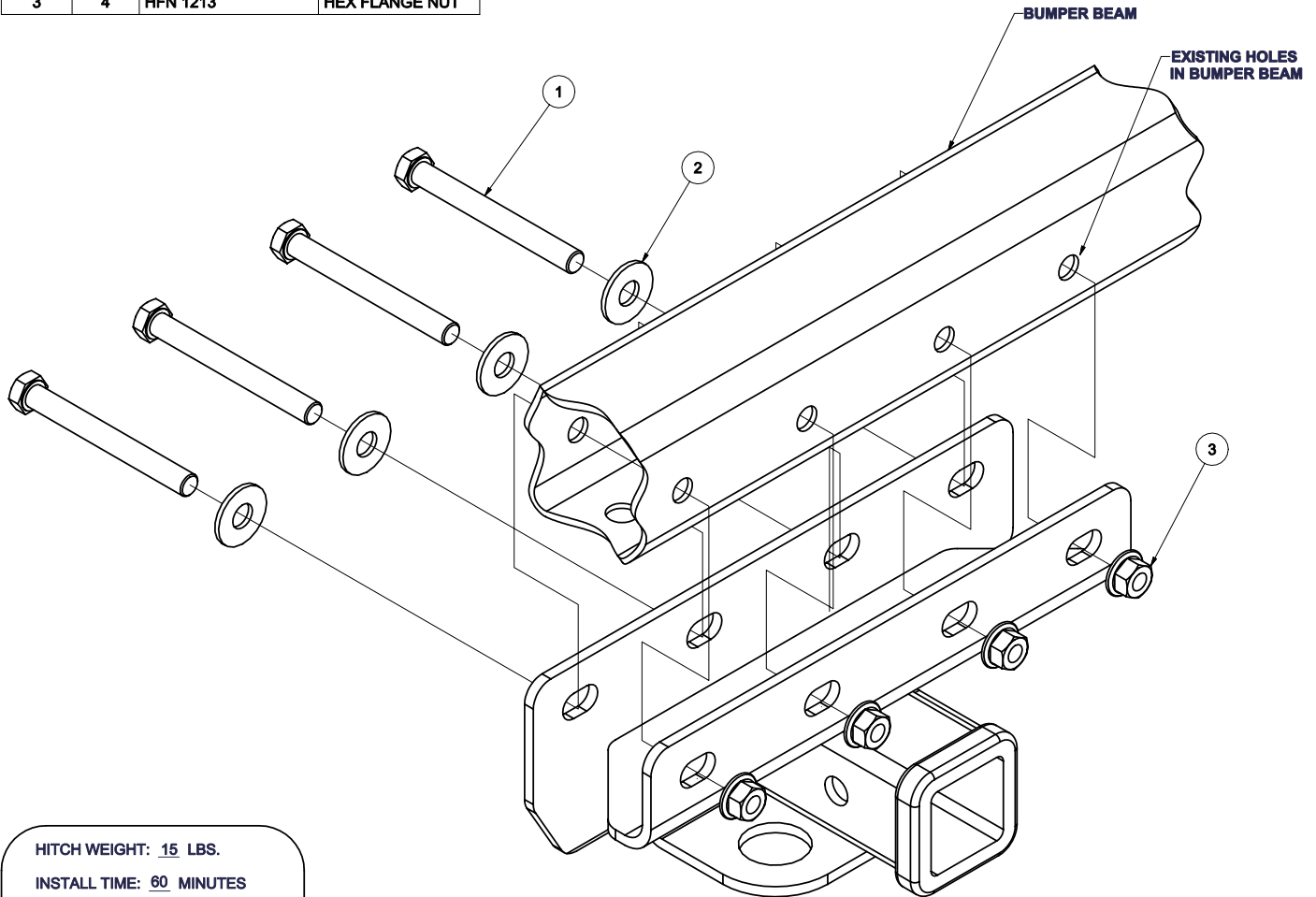


**13432****JEEP WRANGLER 2-DOOR & 4-DOOR****3/18/2008****GROSS LOAD CAPACITY WHEN USED AS A WEIGHT CARRYING HITCH: 3500 LBS. TRAILER WEIGHT & 350 LBS. TONGUE WEIGHT.****GROSS LOAD CAPACITY WHEN USED AS A WEIGHT DISTRIBUTION HITCH: 4000 LBS. TRAILER WEIGHT & 400 LBS. TONGUE WEIGHT****\*\*\*DO NOT EXCEED VEHICLE MANUFACTURER'S RECOMMENDED TOWING CAPACITY.\*\*\***

Parts List			
ITEM	QTY	PART NUMBER	DESCRIPTION
1	4	1_2 - 13 x 4 1_2 HEX	HEX BOLT
2	4	1/2"	WASHER
3	4	HFN 1213	HEX FLANGE NUT

HITCH WEIGHT: 15 LBS.INSTALL TIME: 60 MINUTES

INSTALL NOTES:

**-NO DRILLING REQUIRED****INSTALLATION STEPS**

- 1) Remove three bolts that are securing the existing tow hook to the bumper beam. Detach the muffler from the rubber muffler hanger and lower the exhaust for ease of installation.
- 2) Position the hitch over the bumper beam and align the holes of the hitch with holes in the cross member. When the hitch is properly positioned, the hitch will be centered in the existing rectangular cutout at the bottom of the bumper fascia.
- 3) Insert fasteners as shown making sure the flange nuts are installed on the exterior side of the hitch.
- 4) Torque all 1/2" fasteners to 75 lb-ft.

**PERIODICALLY CHECK THIS RECEIVER HITCH TO ENSURE THAT ALL FASTENERS ARE TIGHT AND THAT ALL STRUCTURAL COMPONENTS ARE SOUND.**

Curt Manufacturing Inc., warrants this product to be free of defects in material and/or workmanship at the time of retail purchase by the original purchaser. If the product is found to be defective, Curt Manufacturing Inc., may repair or replace the product, at their option, when the product is returned, prepaid, with proof of purchase. Alteration to, misuse of, or improper installation of this product voids the warranty. Curt Manufacturing Inc.'s liability is limited to repair or replacement of products found to be defective, and specifically excludes liability for incidental or consequential loss or damage.