

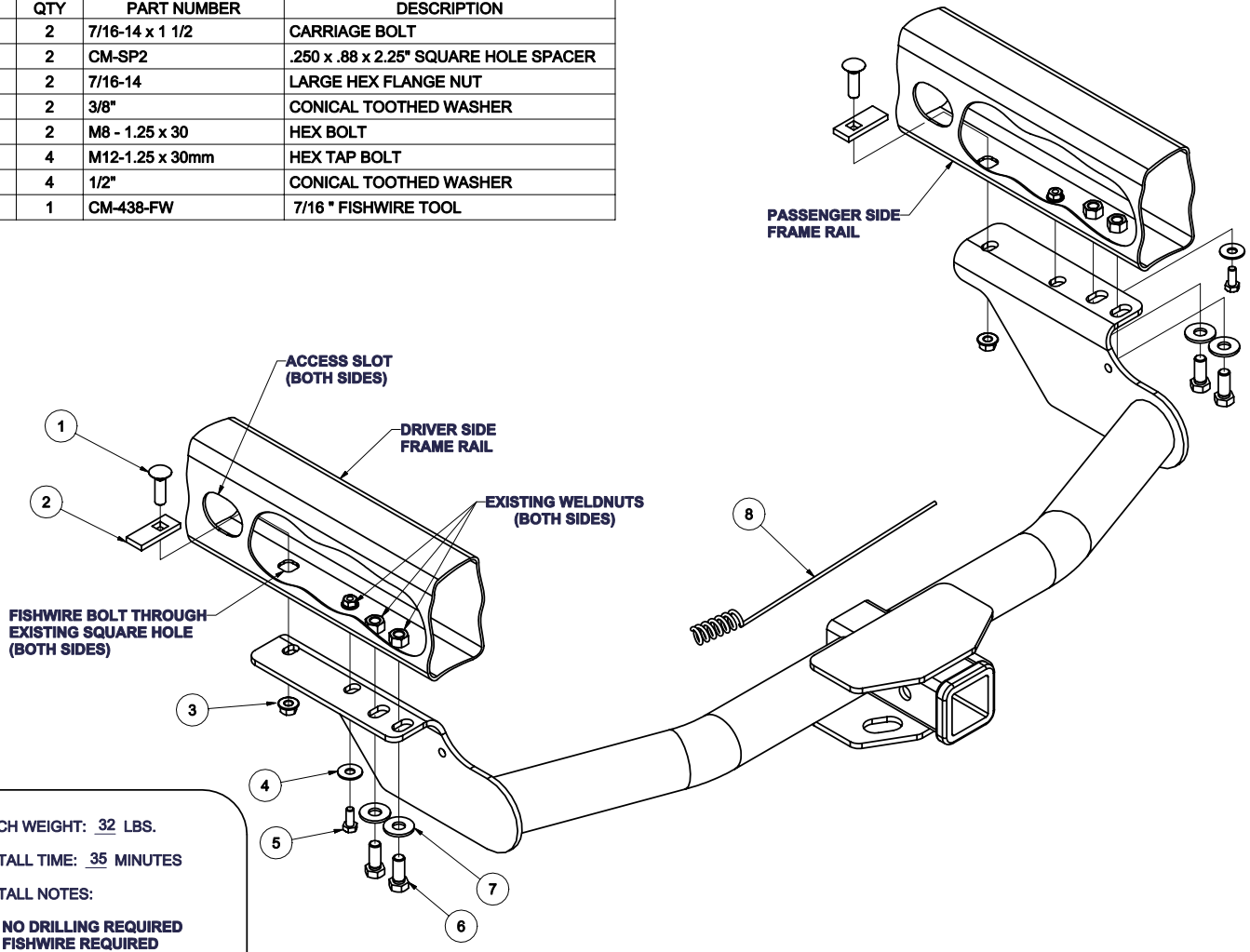
13367 / 78215 / 757367

TOYOTA FJ CRUISER

7/5/07

GROSS LOAD CAPACITY WHEN USED AS A WEIGHT CARRYING HITCH: 5000 LBS. TRAILER WEIGHT & 500 LBS. TONGUE WEIGHT.  
 GROSS LOAD CAPACITY WHEN USED AS A WEIGHT DISTRIBUTION HITCH: 6000 LBS. TRAILER WEIGHT & 600 LBS. TONGUE WEIGHT  
**\*\*\*DO NOT EXCEED VEHICLE MANUFACTURER'S RECOMMENDED TOWING CAPACITY.\*\*\***

Parts List			
ITEM	QTY	PART NUMBER	DESCRIPTION
1	2	7/16-14 x 1 1/2	CARRIAGE BOLT
2	2	CM-SP2	.250 x .88 x 2.25" SQUARE HOLE SPACER
3	2	7/16-14	LARGE HEX FLANGE NUT
4	2	3/8"	CONICAL TOOTHED WASHER
5	2	M8 - 1.25 x 30	HEX BOLT
6	4	M12-1.25 x 30mm	HEX TAP BOLT
7	4	1/2"	CONICAL TOOTHED WASHER
8	1	CM-438-FW	7/16" FISHWIRE TOOL



HITCH WEIGHT: 32 LBS.  
 INSTALL TIME: 35 MINUTES  
 INSTALL NOTES:  
 - NO DRILLING REQUIRED  
 - FISHWIRE REQUIRED

**INSTALLATION STEPS**

- 1) Remove tow hook(s) if present, and return to owner.
- 2) Lower exhaust, (temporarily lowering the (3) rearmost exhaust hangers will provide enough clearance for bolt installation.)
- 3) Raise hitch into position, with passenger side plate above exhaust pipe. Loosely install the 12MM hex bolts into the existing weldnuts in frame rails.
- 4) Fishwire the 7/16" carriage bolts and square hole spacers into position using the existing access holes as shown. Install remaining M8 fasteners.
- 5) Torque all M8 fasteners to 17 lb-ft, all 7/16" fasteners to 50 lb-ft, and all M12 fasteners to 65 lb-ft.
- 6) Re-install exhaust hangers to original position.

**PERIODICALLY CHECK THIS RECEIVER HITCH TO ENSURE THAT ALL FASTENERS ARE TIGHT AND THAT ALL STRUCTURAL COMPONENTS ARE SOUND.**

Curt Manufacturing Inc., warrants this product to be free of defects in material and/or workmanship at the time of retail purchase by the original purchaser. If the product is found to be defective, Curt Manufacturing Inc., may repair or replace the product, at their option, when the product is returned, prepaid, with proof of purchase. Alteration to, misuse of, or improper installation of this product voids the warranty. Curt Manufacturing Inc.'s liability is limited to repair or replacement of products found to be defective, and specifically excludes liability for incidental or consequential loss or damage.